

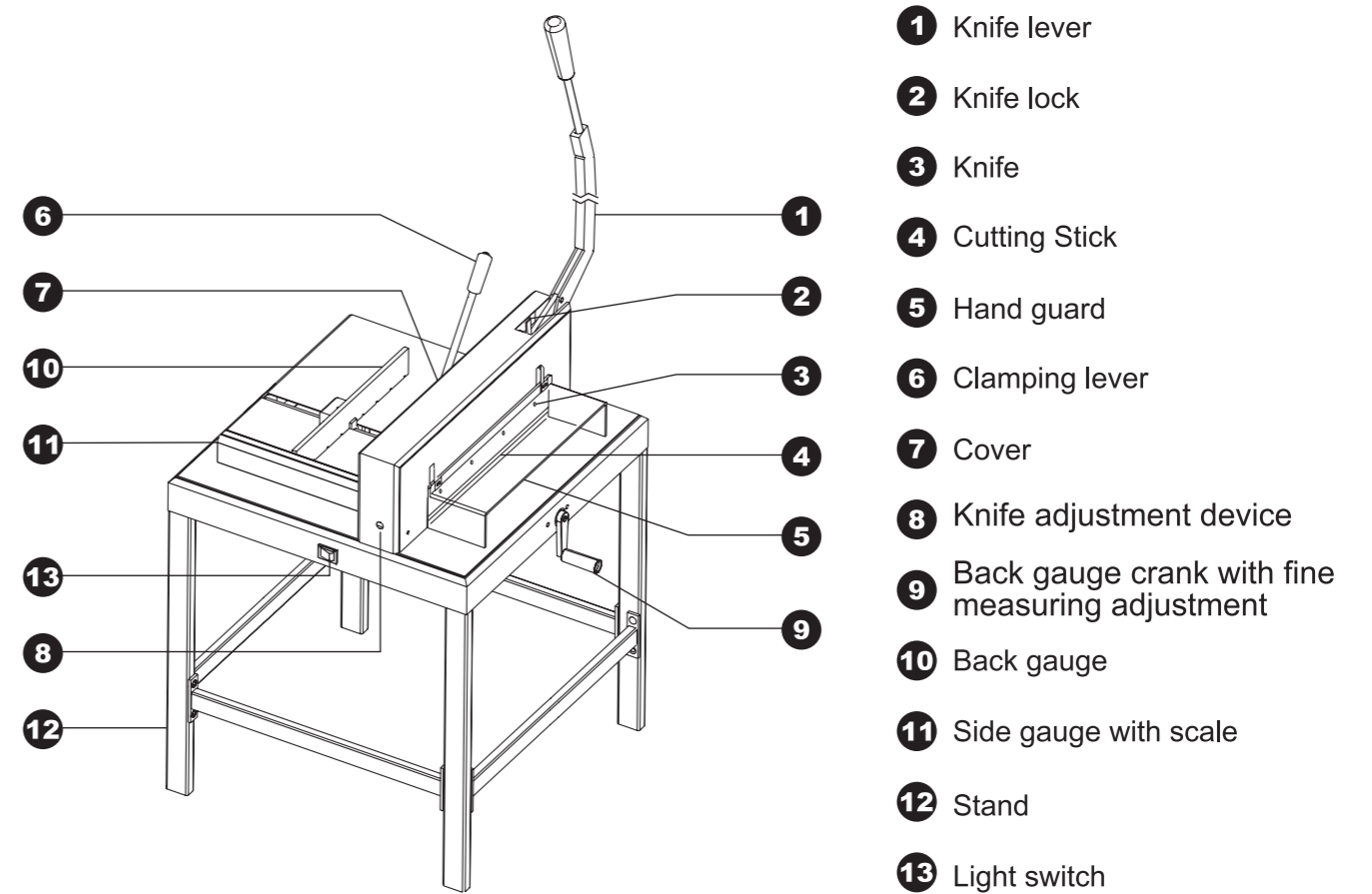
User's Guide

Power Paper Guillotine

INDEX

CONTENTS	PAGE
ASSEMBLING DRAWINGS	2
SAFETY RULES	2
PERFORMANCE	2
INSTALLATION	3
OPERATING DESCRIPTION	3 - 5
OPERATION	5
BLADE REPLACEMENT	6
CUTTING STICK	6
LUBRICATION	6
KNIFE CHANGE	6
BLADE REPLACEMENT INSTRUCTION	8 - 9

ASSEMBLING PICTURES

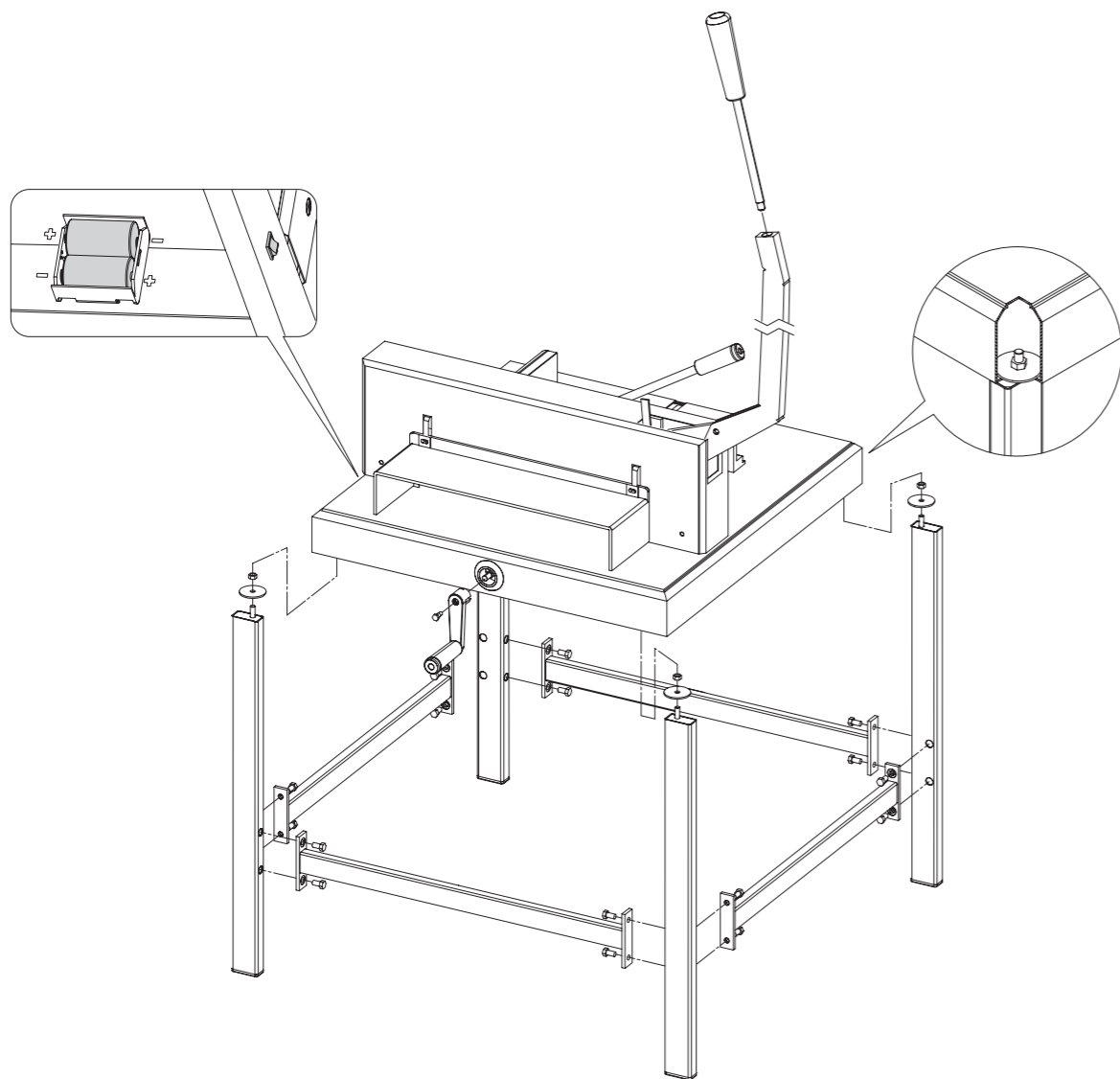


SAFETY RULES

- Instruct the person working at the machine how to operate it.
- Take care that not more than one person is working at the same machine at the same time.
- The knife lever is moved down with both hands.
- After each cutting operation the knife lever is moved back to the starting position until the knife is locked.
- Do not disassemble the hand guard.
- Do not grasp underneath the knife edge.
- When changing the knife, strictly adhere to the instructions and use knife holders.

PERFORMANCE

- You can cut many varieties of paper and light cardboard (up to 550 sheets of 80 g/m² paper)
- Maximum cutting length 430 mm
- Maximum cutting height 55 mm
- Please be sure that the paper is free of metal parts such as clips and staples.



INSTALLATION

The grip of the knife lever **1** and clamping lever **6** and the back gauge crank with screw **9** are packed separately in a box with the machine. Please install these items right away.

The guillotine : Top part and stand of the machine have to be connected as follows:

- Set up the stand in a way that the 4 threaden pins point upwards.
- On each threaden pin there is a washer and a hexagonal nut which has to be removed.
- Place the table correctly onto the machine stand.
- Fit the washers and tighten the hexagonal nut with a wrench 13 m/m wrench.
- Fit two batteries (size D) into the battery holder.

OPERATING DESCRIPTION

1 Knife Lever

- Due to the optimal lever action, the guillotine enables cutting without effort.
A sharp knife is important for the best performance.
- After each cutting operation the knife lever has to be returned to its top position until the knife lever is locked.

2 Knife Locking Device

- The knife locking device secures the knife in its top position. A cutting operation can only be carried through when the hand guard is in the down position and the locking device is released.
- Caution: Do not place hands or fingers under blade if knife lever is not locked.

3 Knife

- To be made of high carbon quality steel.

4 Cutting Stick

- To be made of tough plastic, exchangeable. It can be used two times on each side.

5 Hand Guard

- The hand guard must be lowered before each cutting operation. Only at this time the locking device can be released. The knife guard can be reopened only when the knife lever is locked in the top position.
- Under any circumstances, DO NOT disassemble or make the hand guard inoperative.

5 Flick Action Clamping System

For holding the paper pile which has to be cut.

- ※ Press clamping lever forward (far from operator): Flick action clamping system open.
- ※ Press clamping lever backward (near to operator) : Flick action clamping system close.

7 Cover

Attached to the machine with four screws. Disassembly only in case of knife change or maintenance.

8 Knife Adjustment

The knife can be adjusted slightly by using the adjustment screw **8**

- ※ Turn to the left **+** : Knife adjustment downwards.
- ※ Turn to the right **-** : Knife adjustment upwards.

Max. adjustment approx. 2mm.

Please note: A knife which is adjusted too deeply does not only damage the cutting stick, but the knife itself. Optimal adjustment: when the last sheet is cut accurately.

9 Back Gauge Crank

The crank is indirectly connected with the back gauge. Connection is made by a slight push of the crank toward the machine. The connection is released when pulling the crank towards the operator.

※ Turn to the clockwise: Back gauge moves towards the knife.

※ Turn to the counter clockwise: Back gauge moves away from the knife.

The scale behind the crank serves for fine adjustment of the back gauge. The figures "0-9" show in an enlarged form the mm of the side gauge scale. "0" means a whole cm, "1-9" the corresponding mm. The exact adjustment of the size is always done in a way that the back gauge pushes paper toward the front.

10 Back Gauge

Operation via the crank. For adjustment to the desired cutting size and for exact parallel of the paper pile to be cut.

11 Side Gauge with Scale

In mm/cm and inch. For rectangular placing of the paper pile. The indicator on the back gauge showing the measurement, which adjusts the scale of the side gauge.

Fine adjustment is done via the mm scale of the scale ring.

12 Stand

Made of steel. Standard equipment of the guillotine.

13 Light Switch

There will be a bright line to indicate the accurate cutting when switch on the light.

OPERATION

- The knife lever ① is locked at its top position.
- Bring hand guard ⑤ up. Push the paper pile into the machine from the front and place it against the back gauge ⑩ and along the side gauge ⑪ on the left.
- Push the back gauge crank ⑨ toward the cutter to engage, and then turn the crank handle ⑩ clockwise to bring the back gauge toward the knife until the paper measurement is reached. With the help of the fine adjustment ring, accurate measurement can easily be reached.
- Release the back gauge crank ⑨, so that the unintentional movement of the back gauge can be prevented.
- Switch the lever of the flick action clamping system ⑥ backward (far from operator). When the flick action clamping device touches the paper pile, apply quick pressure to the handle and then let go. The paper pile is now secure.
- Bring down the hand guard ⑤.
- Release the knife lock ② and bring down the knife lever ① by using both hands. When the cut is complete, move the knife lever to its top position until it locks.
- Release the hand lever of the flick action clamping system ⑥. Lift the hand guard ⑤ upwards and take the paper out of the cutter.

BLADE REPLACEMENT

Please note: A dull knife does not cut accurately. The cutting of heavy paper or cardboard more often will blunt the blade easily. To keep a new spare blade on hand let work go. When you need to replace the blade, please do it correctly according to our instruction of blade replacement.

CUTTING STICK

If the last sheet of paper pile does not cut through, even though the knife adjustment ⑧ was already adjusted to the left +, the cutting stick ④ should be changed, turned or rotated. The cutting stick can be used two times on each side - which means 8 changes per stick. The cutting stick ④ fits into the machine table and can be lifted out with the help of a screw driver.

※Please note : When the cutting stick is changed, the knife has to be readjusted.

A knife which cuts too deeply, not only damages the cutting stick, but also the knife, too.

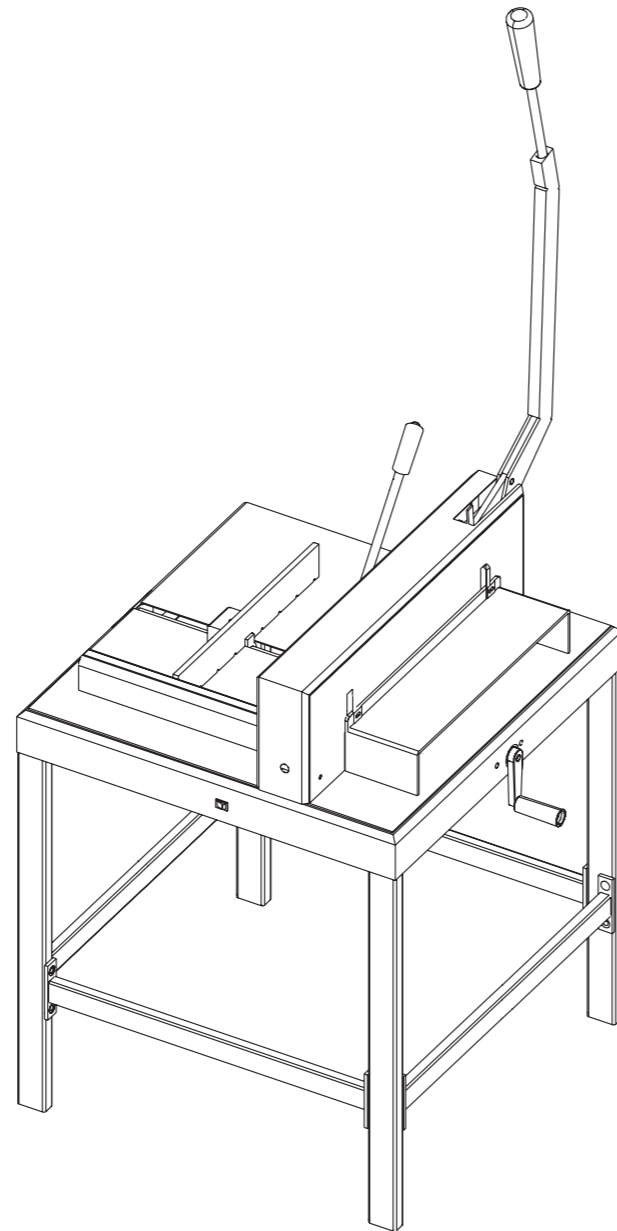
LUBRICATION

All moving parts need to be lubricated and oiled from time to time. Before lubricating, these parts should be cleaned from paper dust and old deposits of oil and grease.

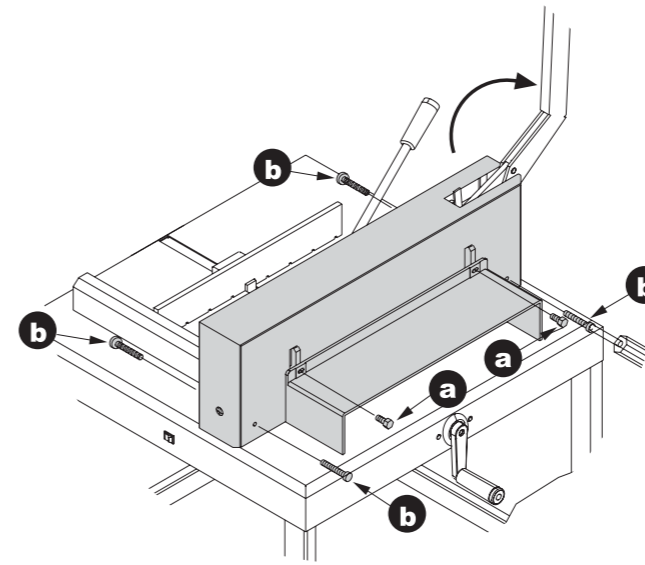
KNIFE CHANGE

Precise cuts are only possible with a sharp knife. The knife should be changed as soon as the quality and the accuracy of a cut are not in accordance with the standards expected from this cutting machine. If the knife should jam in the paper pile or leave grooves in the paper, the knife must be changed right away. Knife life with normal paper is approximately 600 cutting times (tested in maximum capacity); of course, this will vary with different types of paper. The knife change must be executed by one person only. The cutting edge of the knife is extremely sharp. In order to avoid injuries, the knife has to be handled with the utmost care.

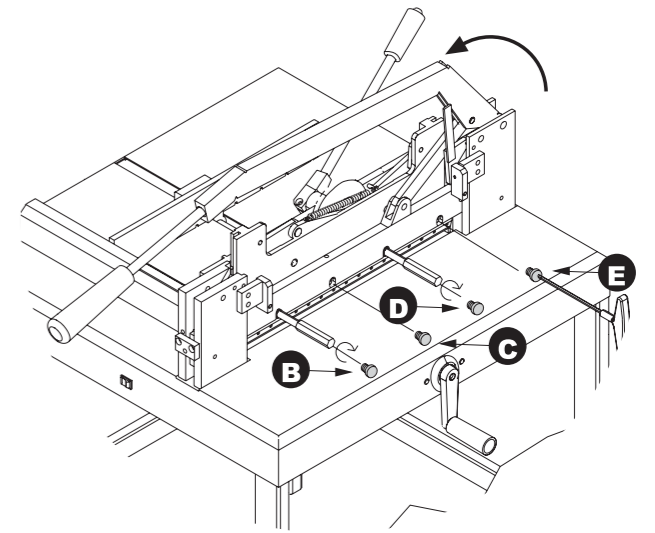
NOTICE : Please do according to our blade replacement instruction.



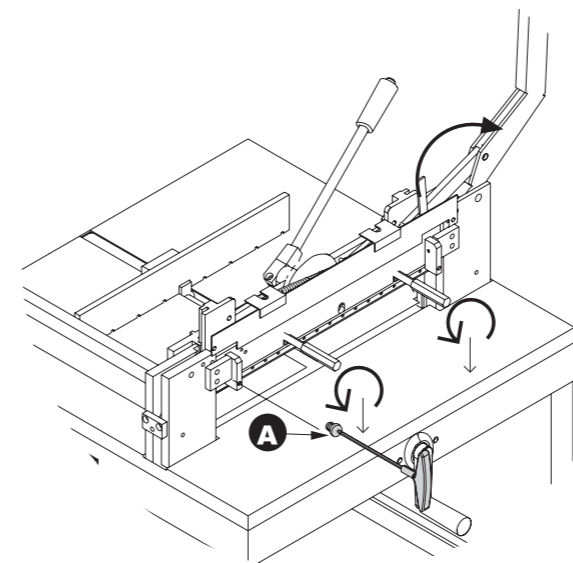
User's Guide - Blade Replacement Instruction



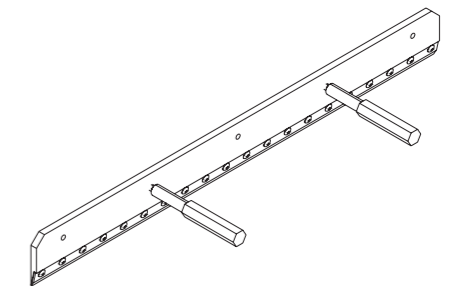
- (1) Put the knife lever to its top position in lock position.
- (2) Remove the screws in Hand Guard and Cover (screw **a b**)
- (3) Take off Hand Guard and Cover.



- (4) Put the knife lever downwards to be horizontal.
- (5) Remove knife screws **B** and **D** and replace them with the two knife holders from the tool box. Tighten securely.
- (6) Take out knife screws **C** and **E**.

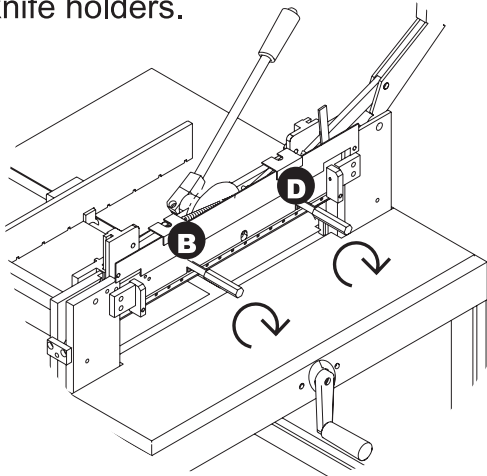


- (7) Return the knife lever to its starting position and lock it.
- (8) Take out knife screw **A**.
- (9) Loosen knife holders (only half turn) and lower the knife downwards from the knife carrier.

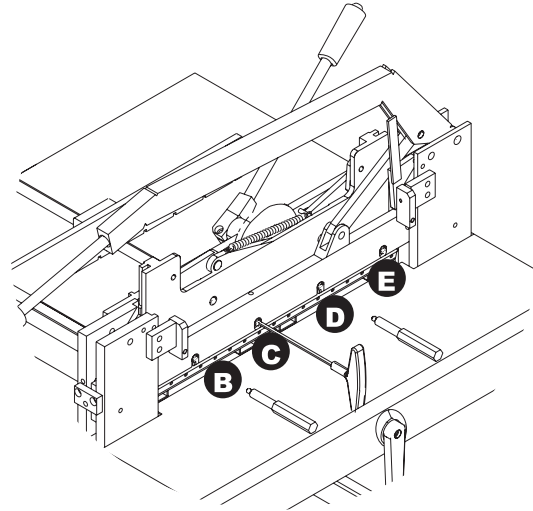


- (10) Remove all the 5 screws from the blade fastener.
- (11) Take off worn blade to replace with new blade.
- (12) Turn tight all the 5 screws on the blade fastener.

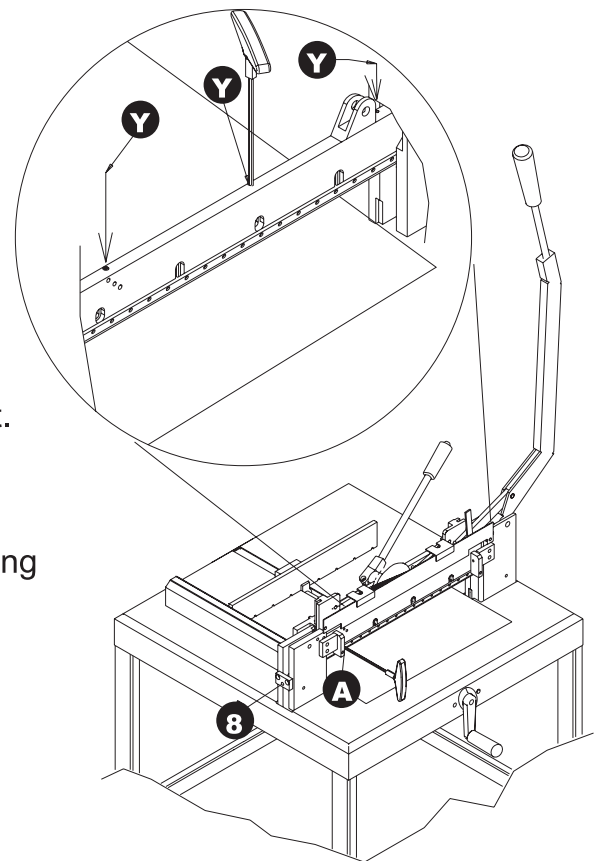
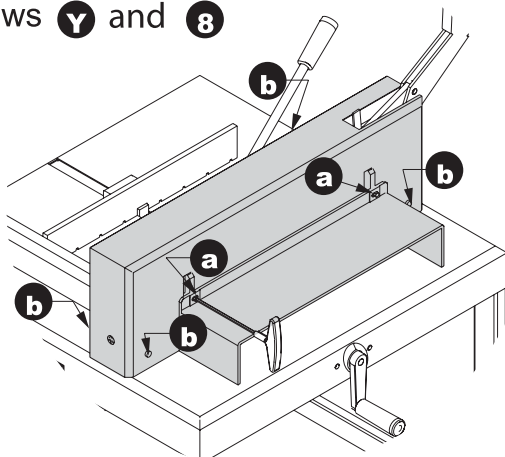
- (13) Insert knife holders into second and fourth threaden hole **B** and **D** of the sharp knife. Place knife into knife carrier and fasten them securely with knife holders.



- (14) Put the knife lever downwards to be horizontal.
- (15) Screw in knife screw **C** and **E**, remove knife holders, then screw in knife screw **B** and **D**.



- (16) Return the knife lever to its starting position and lock it.
- (17) Screw in knife screw **A**.
- (18) Move the knife carefully down to the cutting stick via the knife lever.
- (19) Turn the knife adjustment **8** to the right \ominus until you have a visible ray of light between knife edge and cutting stick.
- (20) Adjust knife to touch the cutting stick flatly by means of the adjusting screws **Y**.
- (21) Move knife lever to top position and lock it. Make a trial cut with one sheet of paper. If the paper is not cut through totally, then the knife has to be adjusted via the adjusting screws **Y** and **8**.



- (22) Assemble Hand Guard and Cover by way of screwing in screws **a** **b**.

NOTICE : the three **Y** screws are for horizontal adjustment.
the **8** screw is for minor up-down adjustment.